

Pallet 805/815



805/815



- One way
- Fits air pallet
- Cost effective
- Nestable - reduces freight costs
- Easy and safe to handle
- Environment friendly - 100% recyclable
- Maintenance free
- Hygienic and clean
- Safety rims (optional)

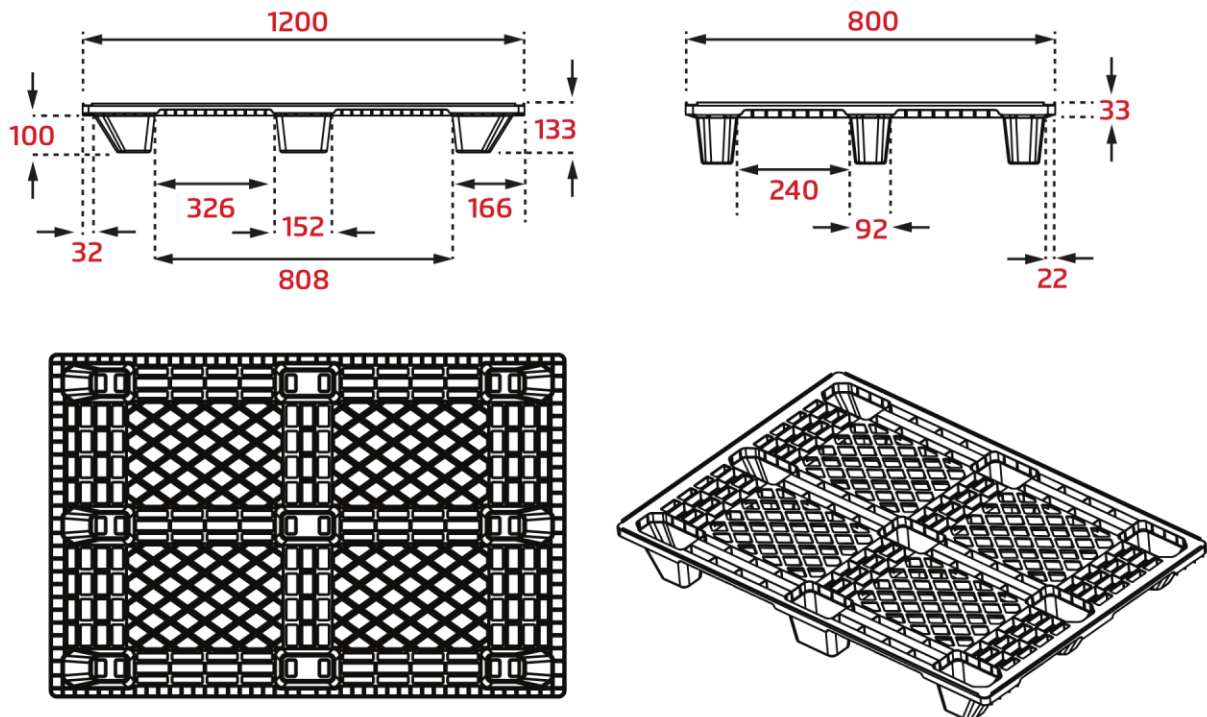


Specifications

DIMENSIONS		
Dimensions (L / W / H)	1,200 / 800 / 133 mm	47.24 / 31.5 / 5.2 in
Dimensions with runners (L / W / H)	1,200 / 800 / 143 mm	47.24 / 31.5 / 5.6 in
LOGISTICS		
Weight	4.4 KG	9.7 LB
Weight with runners (815)	6.4 KG	14.1 LB
Maximum load Dynamic	900 KG	1,984 LB
Maximum load Dynamic with runners (815)	1,100 KG	2,425 LB
Maximum load Static	1,800 KG	3,968 LB
Maximum load Static with runners (815)	2,000 KG	4,409 LB
Pallets per stack	84	
Units per truck	2,772	
MATERIAL		
Material	PP/HDPE recycled or virgin	
Color	Black (recycled)	

* Load capacities are based on evenly distributed loads and can vary according to the type of load.

Technical Drawing (mm)



Plasgad
Advanced Logistic Solutions

Plasgad Plastic Products ACS Ltd.

Kibbutz Gadot, Upper Galilee 1232500, Israel | Tel. +972-4-6935485 | Fax. +972-4-6935471 | www.plasgad.com